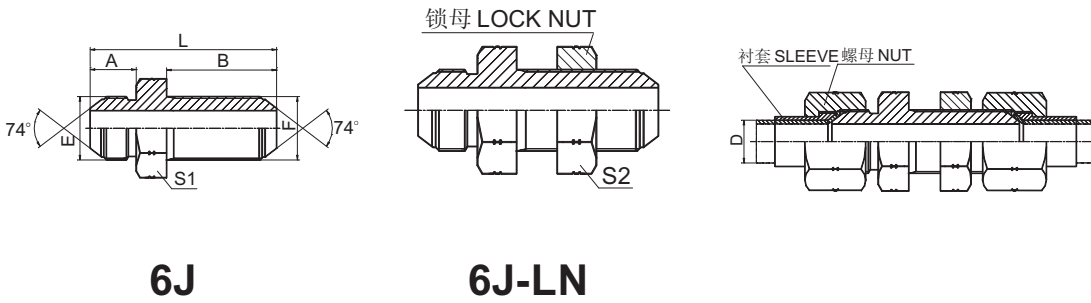


过渡接头 ADAPTER



美制 JIC 外螺纹 74° 外锥过板接头
 JIC MALE 74° CONE BULKHEAD

代号 PART NO.	螺纹 THREAD		尺寸 DIMENSIONS						
	E	F			A	B	L	S1	S2
6J-02	5/16"X24	5/16"X24			11.4	28.2	47.5	14	14
6J-03	3/8"X24	3/8"X24			12.2	28.2	48.3	16	16
6J-04	7/16"X20	7/16"X20			14	32.5	52.5	17	17
6J-05	1/2"X20	1/2"X20			14	32.5	52.5	19	19
6J-06	9/16"X18	9/16"X18			14.1	32.5	54.5	22	22
6J-06(S19)	9/16"X18	9/16"X18			14.1	32.5	54.5	19	22
6J-08	3/4"X16	3/4"X16			16.7	36.5	61.5	24	24
6J-10	7/8"X14	7/8"X14			19.3	40	69.5	30	30
6J-12	1.1/16"X12	1.1/16"X12			21.9	44.5	78.5	36	36
6J-14	1.3/16"X12	1.3/16"X12			22.6	44.5	79.2	38	38
6J-16	1.5/16"X12	1.5/16"X12			23.1	44.5	79.8	41	41
6J-20	1.5/8"X12	1.5/8"X12			24.3	45.7	84	50	50
6J-24	1.7/8"X12	1.7/8"X12			27.5	46	89.5	55	55
6J-32	2.1/2"X12	2.1/2"X12			33.9	53.1	106.7	70	70

注：如需带锁母订货，则请在代号后加“LN”，如6J-12LN。螺母及衬套需另行订货，管子直径D为公制时，配用螺母及衬套分别选用NB200、NB500。管子直径为英制时，配用螺母及衬套分别选用NB200、NB300。Note: In case if you are interested to order the adapter with lock nut, please insert suffix "LN" after our partno , forexample 6J-12LN. Nut and sleeve should be ordered separately, The nut NB200 and sleeve NB500 is suitable for metric tube, the nut NB200 and sleeve NB300 is suitable for inch tube.