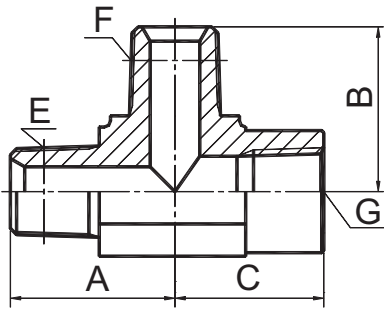


# 过渡接头 ADAPTER



**LN**

布锥管外螺纹 / 布锥管外螺纹 / 布锥管内螺纹  
NPT MALE/NPT MALE/NPT FEMALE

代号 PART NO.	螺纹 THREAD			尺寸 DIMENSIONS					
	E	F	G			A	B	C	S1
LN-02	Z1/8"X27	Z1/8"X27	Z1/8"X27			24.5	24.5	20.5	16
LN-04	Z1/4"X18	Z1/4"X18	Z1/4"X18			28	28	22.5	19
LN-06	Z3/8"X18	Z3/8"X18	Z3/8"X18			33.5	33.5	25	24
LN-08	Z1/2"X14	Z1/2"X14	Z1/2"X14			41.2	41.2	31.2	30
LN-12	Z3/4"X14	Z3/4"X14	Z3/4"X14			46.5	46.5	34.5	33
LN-16	Z1"X11.5	Z1"X11.5	Z1"X11.5			54.5	54.5	41.1	41
LN-20	Z1.1/4"X11.5	Z1.1/4"X11.5	Z1.1/4"X11.5			63	63	48	48
LN-24	Z1.1/2"X11.5	Z1.1/2"X11.5	Z1.1/2"X11.5			71.5	71.5	52.8	63